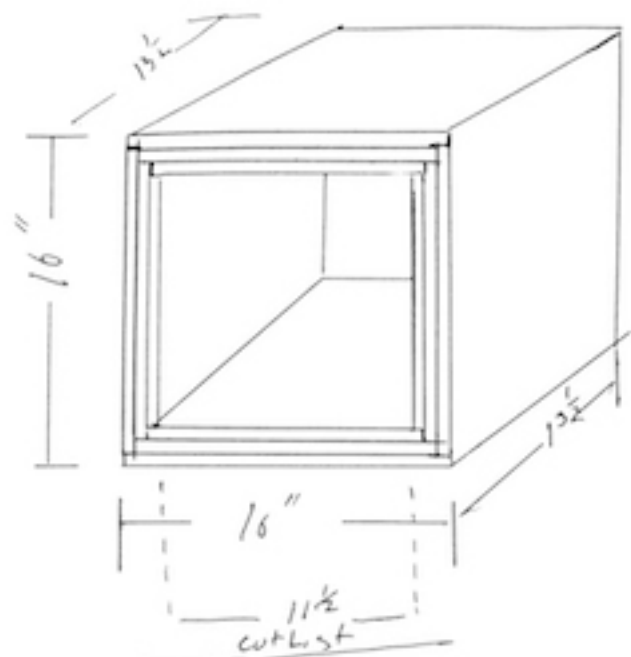


Modern Cocktail Table



2) $\frac{3}{4} \times 11\frac{1}{2} \times 13$ "

4) $\frac{3}{4} \times 13 \times 13$ "

4) $\frac{3}{4} \times 14\frac{1}{2} \times 13$ "

2) $\frac{3}{4} \times 16 \times 13$ "

Flat molding

8) $2\frac{1}{4} \times \frac{1}{4} \times 17$ "
cut molding to size

Aluminum

3) $16\frac{1}{2} \times 13\frac{1}{2}$ "