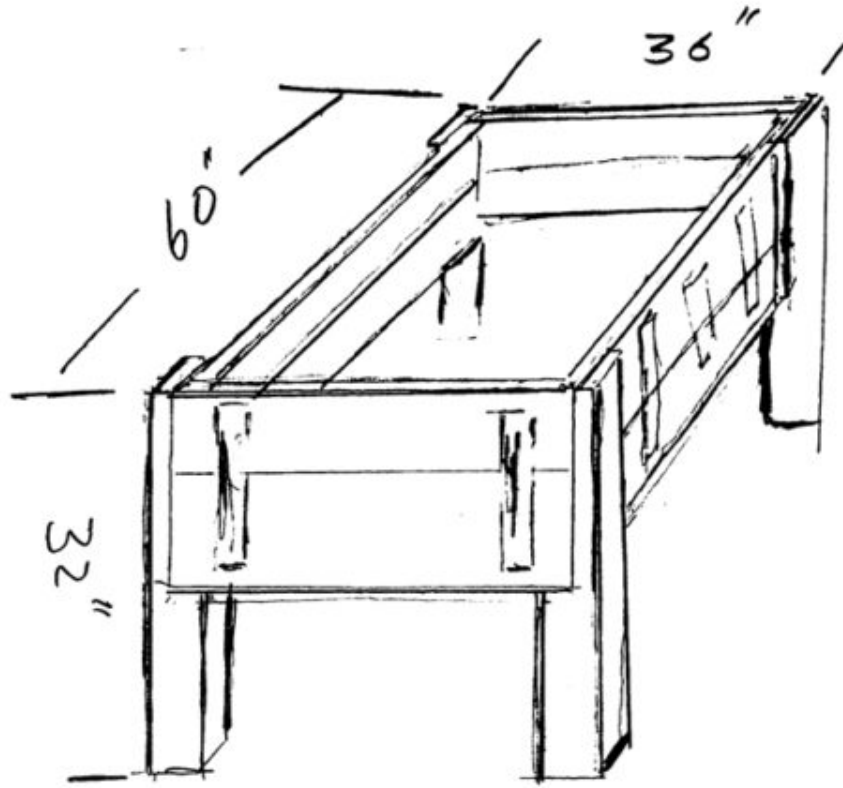


Stand up Plaster Box



4) Legs
4x4x32"



2" Deep Lap Joint

Front & Back

2) 2x6x36

2) 2x8x36

Sides

2) 2x6x57"

2) 2x8x57"

10) Butters = 1x3 Pine or 1x3 strips
1x3x12"

Hardware Cloth - wire mesh

1) 36" x 60"

1x3 to Attach to Bottom

2) About 33"

2) About 54"